

Inlet for front or rear side mounting, fuse 1-/2-pole, line switch 2-pole

Standard or Medical Fuse drawer



new



Screw-On Version



### Description

- Panel Mount:  
Screw-on version from front or rear side
- 3 Functions:  
Inlet Protection class I, Line switch 2-pole, Fuseholder for fuse-links 5 x 20 mm 1- or 2-pole
- Quick connect terminals 4.8 x 0.8 mm
- Alternative: version with line filter [DD12](#)
- Alternative: version for snap-in mounting [KM](#)
- Alternative: version for PCB mounting [DD21](#)

### Approvals

- VDE License Number: 40018283
- UL License Number: E93617

### Characteristics

- Ultra-compact design. Ideal for low profile designs
- All single elements are already wired
- Fuse drawer meets requirements of medical standard IEC/EN 60601-1  
The fuseholder is accessible from the equipment front
- For added safety "Extra-Safe" fuse drawers are available
- Ideal for application with high transient loads
- Designed for standard and medical applications
- Qualified for use in equipment according IEC/EN 60950

### Other versions on request

- Solder terminals
- Fuse drawer 1-pole, plus spare fuse case
- Fuse drawer 2-pole, with shorting bar
- Other rocker marking
- Line switch 1-pole
- Protection class II, 70°C

### Weblinks

[Approvals](#), [RoHS](#), [CHINA-RoHS](#), [e-Store](#), [SCHURTER-Stock-Check](#), [Distributor-Stock-Check](#)

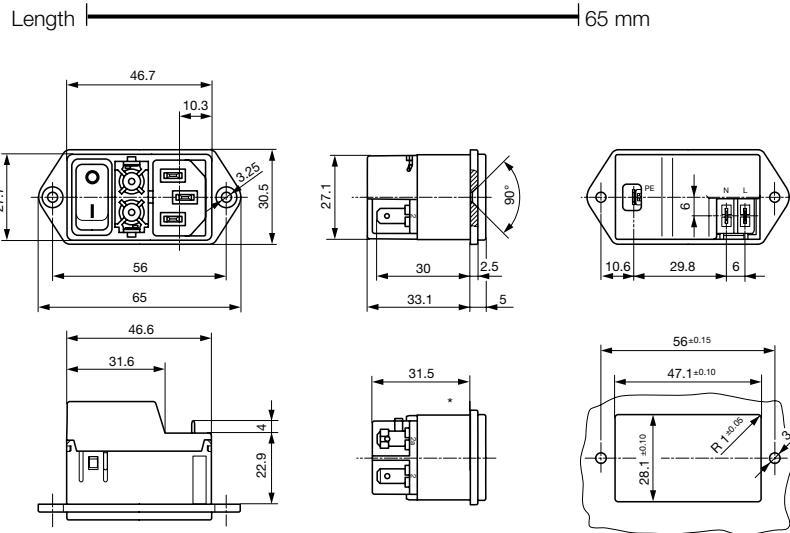
### Technical Data

Ratings IEC	10A / 250VAC; 50Hz
Ratings UL/CSA	8A / 250VAC; 60Hz <sup>1)</sup>
Dielectric Strength	> 2.5 kVAC between L-N > 3 kVAC between L/N-PE (1 min/50Hz)
Allowable Operation Temp.	-25 °C to 85 °C
Degree of Protection	from front side IP 40 acc. to IEC 60529
Protection Class	Suitable for appliances with protection class I acc. to IEC 61140
Terminal	Quick connect terminals 4.8 x 0.8 mm
Panel Thickness s	Screw-on: max 8 mm Mounting screw torque max 0.5 Nm Rear side mounting: max 2 mm
Material: Housing	Thermoplastic, black, UL 94V-0

Appliance-Inlet/-Outlet	C14 acc. to IEC/EN 60320-1 UL 498, CSA C22.2 no. 42 (for cold conditions) pin-temperature 70 °C, 10A, Protection class I
Fuseholder	1 or 2 pole, Shocksafe category PC2 acc. to IEC 60127-6, for fuse-links 5 x 20 mm
Rated Power Acceptance @ Ta 23 °C	5 x 20: 2 W (1 pole)/ 1.6 W (2-pole) per pole
Power Acceptance @ Ta > 23°C	Admissible power acceptance at higher ambient temperature see derating curves
Line Switch	Rocker switch 2-pole, non-illuminated or illuminated, acc. to IEC 61058-1 <a href="#">Technical details</a>

1) with cover 7 A, without cover 8 A

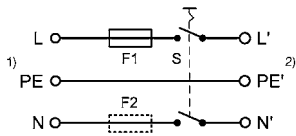
**Dimensions**  
Screw version



\*) view without cover

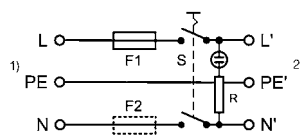
**Diagrams**

non illuminated



1) Line  
2) Load

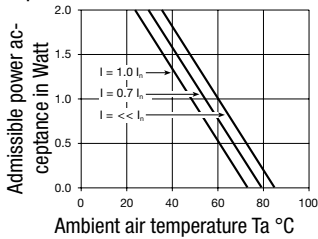
illuminated



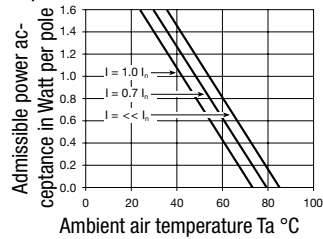
1) Line  
2) Load

**Derating Curves for Fuseholders**

1-pole



2-pole



**Variants**

Distributor-Stock-Check | SCHURTER-Stock-Check | e-Store

Fuse drawer must be ordered separately (see accessories).  
Fingerrip and Extra Safe. The same drawer as used by type KEA.

Fuseholder	Line Switch	Illumination	Color	Cover <sup>1)</sup>	Order Number
1 pole	2-pole	non-illuminated	-		DD11.0111.1110
1 pole	2-pole	illuminated	red		DD11.0113.1110
1 pole	2-pole	illuminated	green		DD11.0114.1110
2-pole	2-pole	non-illuminated	-		DD11.0121.1110
2-pole	2-pole	illuminated	red		DD11.0123.1110
2-pole	2-pole	illuminated	green		DD11.0124.1110
1 pole	2-pole	non-illuminated	-	●	DD11.0111.1111
1 pole	2-pole	illuminated	red	●	DD11.0113.1111
1 pole	2-pole	illuminated	green	●	DD11.0114.1111
2-pole	2-pole	non-illuminated	-	●	DD11.0121.1111
2-pole	2-pole	illuminated	red	●	DD11.0123.1111
2-pole	2-pole	illuminated	green	●	DD11.0124.1111

<sup>1)</sup> current rating UL: with cover 7 A, without cover 8 A

**Packaging unit** 40 Pcs

### Required Accessory

#### Description

#### Fusedrawer 2

Fusedrawer with and without voltage selector insert



Fingergrip, 2-pole	4301.1401
Extra-Safe, 2-pole	4301.1403
Fingergrip, 1 pole	4301.1405
Extra-Safe, 1 pole	4301.1407

...

### Accessory



#### Cord retaining kits

Cord retaining strain relieve

Flat head, A	4700.0001
--------------	-----------